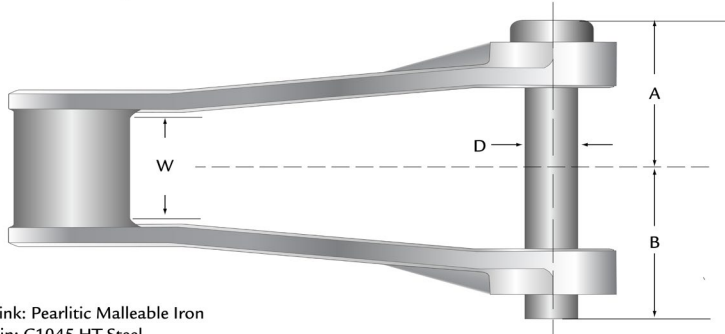
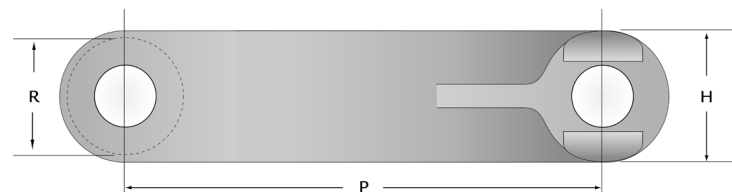


### 720 / 720S Malleable Iron Chain



Link: Pearlitic Malleable Iron  
 Pin: C1045 HT Steel  
 Cotter: Split, 304SS



### 700 Class Pintle Chain Specifications

Chain Dimensions Are Given In Inches

Dimensions subject to change

Chain Number	Chain Pitch	Width	Diameter	Pin			Height	Average Weight lbs/ft	Average Ultimate Strength lbs/ft
	P	W	R	D	A	B	H		
720	6.000	1.000	1.380	0.690	1.58	2.05	1.375	4.2	22,000
720S	6.000	1.125	1.438	0.750	1.70	2.11	1.574	5.2	42,000

Drawn Sales Drawing	<b>GUARDIAN</b> ENVIRONMENTAL PRODUCTS
Approved Sales Drawing	720/720S Malleable Iron Collector Chain
NOT TO SCALE	Part # 5-1131-2